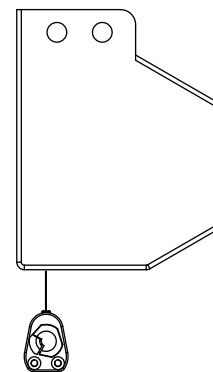
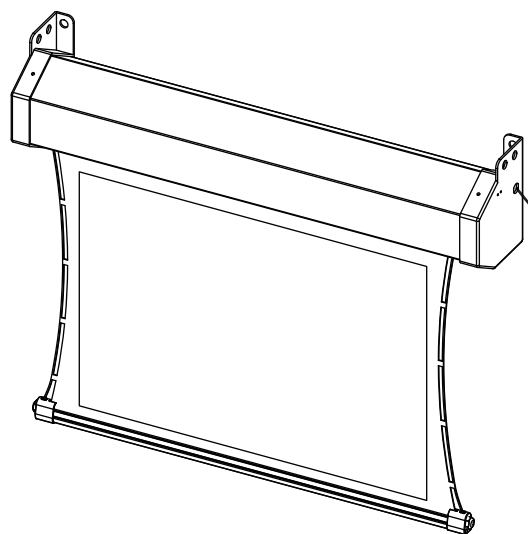
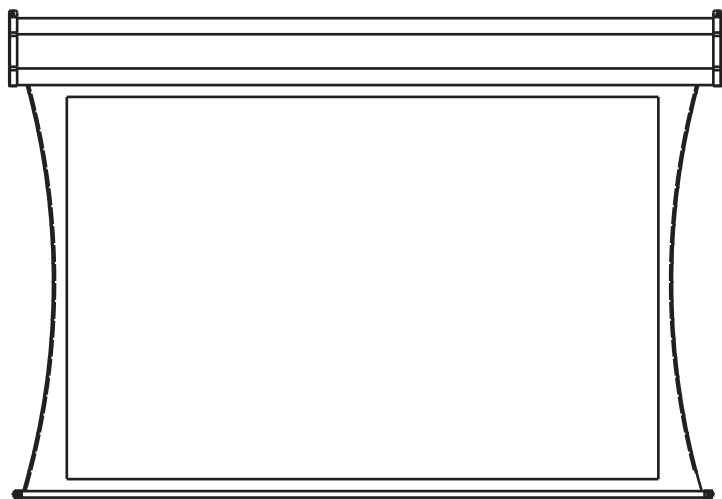
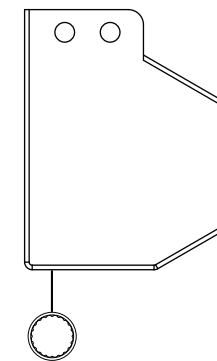


130# Motorized Screen with Steel Case Steel Roller $\Phi 76 \times 1.2$

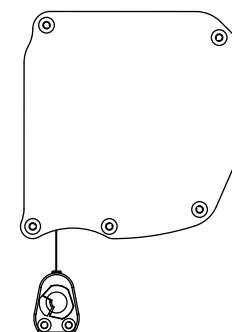
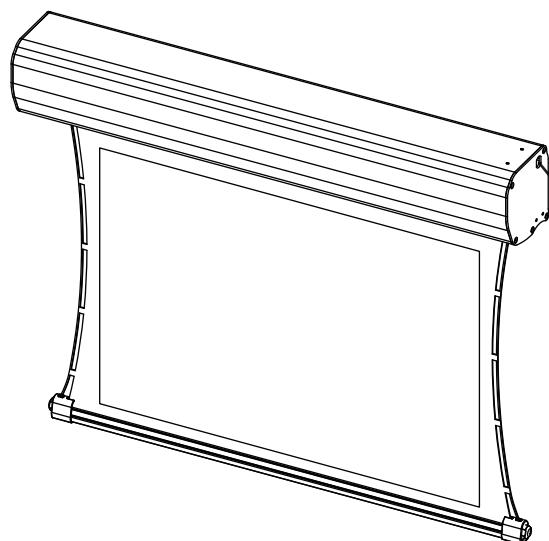
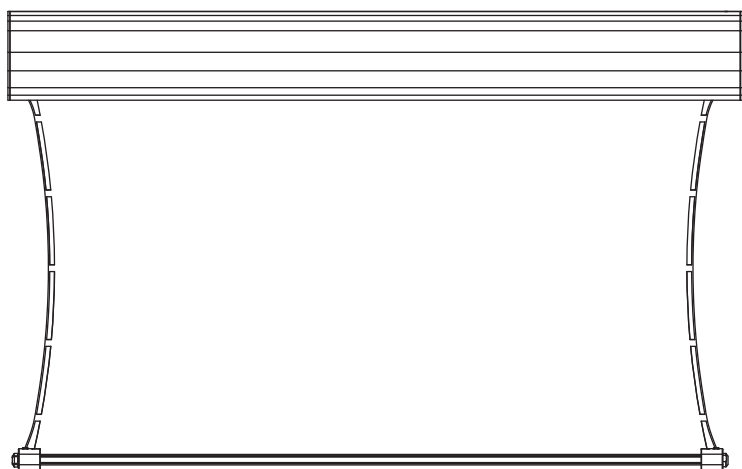


Aluminum Pull bar

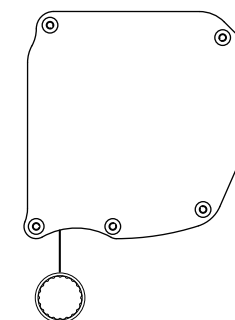


Steel Pull bar

130# Motorized Screen with Aluminum Case Steel Roller $\Phi 76 \times 1.2$



Aluminum Pull bar



Steel Pull bar